



Quality Modular Pontoon Systems

Product Portfolio 2021



The System

Our floating system is designed to be simple: the blocks are held together strongly and firmly by specially designed mounting screws. All pieces are lightweight and provide easy handling.

The cubes are suitable for any shoreline. They are adaptable and can be assembled to create any shape and size – no limit for the configuration options!

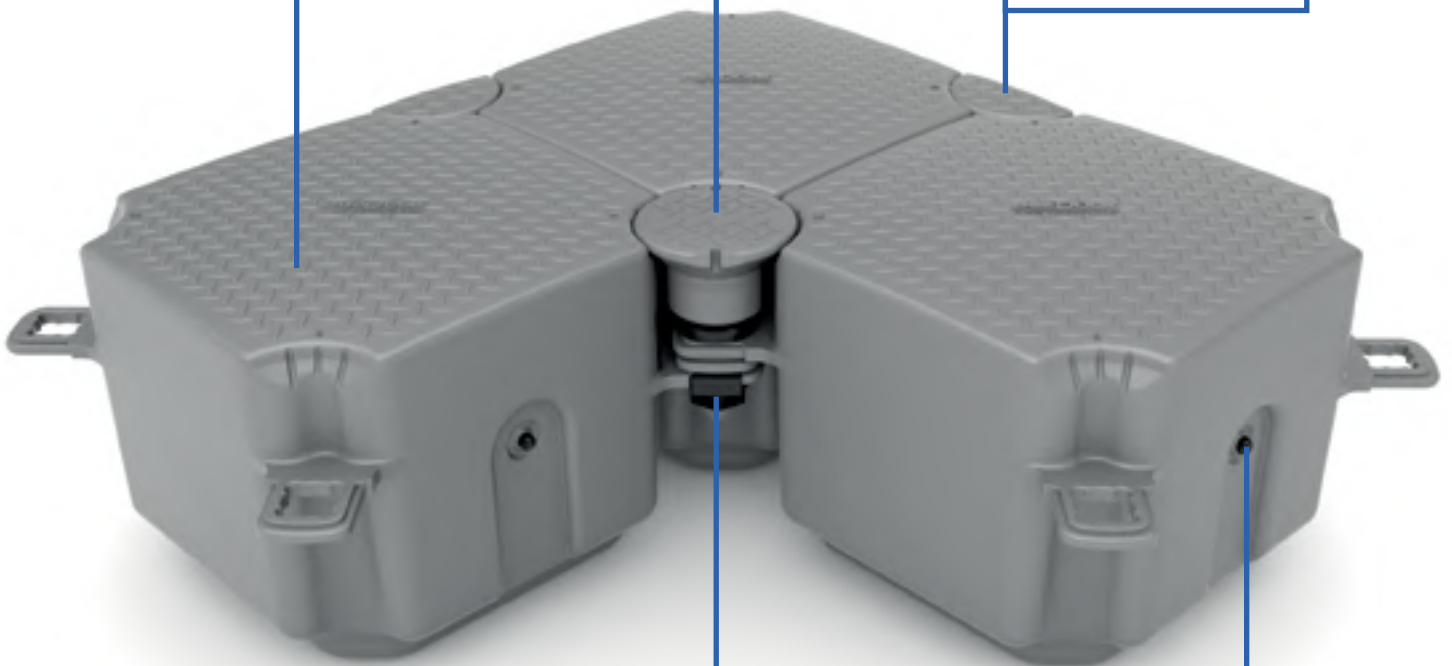
**PURE HDPE WITH
UV PROTECTION**

**ANTI-SLIP
SURFACE**

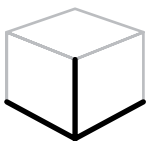
**SECURE
CONNECTING
SYSTEM**

CONNECTING PIN

HALF PIN



COMPACT SIZE



Length: **50** cm

Width: **50** cm

Height: **40** cm

SLIDING NUT

PRESSURE VALVE

Cube H40



| | |
|-------------------------|---|
| Material / Composition: | High-density Polyethylene (HDPE) |
| Surface: | Anti-Slip |
| Dimensions: | 50 x 50 x 40 cm (Length / Width / Height) |
| Weight: | 6.8 kg |
| Capacity: | 92 kg per cube or 368 kg per m ² |

Grey
003622S16

Light Blue
003625S16

Beige
003628S16

Orange
003750S16

*Any color per customers wish

Cube H27



| | |
|-------------------------|---|
| Material / Composition: | High-density Polyethylene (HDPE) |
| Surface: | Anti-Slip |
| Dimensions: | 50 x 50 x 27 cm (Length / Width / Height) |
| Weight: | 5.5 kg |
| Capacity: | 62 kg per cube or 248 kg per m ² |

Grey
003729S16

Light Blue
003730S16

Beige
003731S16

Orange
003778S16

*Any color per customers wish

V-Cube H40 – Flat



| | |
|-------------------------|---|
| Material / Composition: | High-density Polyethylene (HDPE) |
| Surface: | Anti-Slip |
| Dimensions: | 50 x 50 x 40 cm (Length / Width / Height) |
| Weight: | 8.0 kg |
| Capacity: | 80 kg per cube or 320 kg per m ² |

Grey
003743S16

Light Blue
003744S16

Beige
003742S16

Orange
003779S16

*Any color per customers wish

V-Cube H27 – Flat



| | |
|-------------------------|---|
| Material / Composition: | High-density Polyethylene (HDPE) |
| Surface: | Anti-Slip |
| Dimensions: | 50 x 50 x 27 cm (Length / Width / Height) |
| Weight: | 7.5 kg |
| Capacity: | 50 kg per cube or 200 kg per m ² |

Grey
003737S16

Light Blue
003738S16

Beige
003736S16

Orange
003780S16

*Any color per customers wish

V-Cube H40 – Roller



| | |
|-------------------------|---|
| Material / Composition: | High-density Polyethylene (HDPE) |
| Surface: | Anti-Slip |
| Dimensions: | 50 x 50 x 40 cm (Length / Width / Height) |
| Weight: | 8.5 kg |
| Capacity: | 80 kg per cube or 320 kg per m ² |

Grey
003740S16

Light Blue
003741S16

Beige
003739S16

Orange
003781S16

*Any color per customers wish

V-Cube H27 – Roller



| | |
|-------------------------|---|
| Material / Composition: | High-density Polyethylene (HDPE) |
| Surface: | Anti-Slip |
| Dimensions: | 50 x 50 x 27 cm (Length / Width / Height) |
| Weight: | 8.0 kg |
| Capacity: | 50 kg per cube or 200 kg per m ² |

Grey
003734S16

Light Blue
003735S16

Beige
003733S16

Orange
003782S16

*Any color per customers wish

V-Cube H25 – Roller



| | |
|-------------------------|---|
| Material / Composition: | High-density Polyethylene (HDPE) |
| Surface: | Anti-Slip |
| Dimensions: | 50 x 50 x 25 cm (Length / Width / Height) |
| Weight: | 8.0 kg |
| Capacity: | 50 kg per cube or 200 kg per m ² |

Grey
003952S16

Light Blue
003956S16

Beige
003957S16

Orange
003958S16

*Any color per customers wish

Pile Guiding Cube H40



| | |
|-------------------------|---|
| Material / Composition: | High-density Polyethylene (HDPE) |
| Surface: | Anti-Slip |
| Dimensions: | 50 x 50 x 40 cm (Length / Width / Height) |
| Weight: | 8.0 kg |
| Capacity: | 90 kg per cube or 360 kg per m ² |

Grey
2018BG001

Light Blue
2018BG002

Beige
2018BG003

Orange
2018BG004

*Any color per customers wish

Connecting Pin TFP Model



| | |
|-------------------------|----------------------------------|
| Material / Composition: | High-density Polyethylene (HDPE) |
| Surface: | Anti-Slip |
| Dimensions: | 25.5 x 18 cm (Height / Ø) |
| Weight: | 0.480 kg |

Grey
003850S16

Light Blue
003961S16

Beige
003962S16

Orange
003963S16

*Connecting Pin Standard
003623S16

*Any color per customers wish

Half Pin



Material / Composition:

Surface:

Dimensions:

Weight:

High-density Polyethylene (HDPE)

Anti-Slip

27.5 x 8 cm (Height / Ø)

0.330 kg

Grey
003624S16

Light Blue
003627S16

Beige
003630S16

Orange
003783S16

*Any color per customers wish

Sliding Nut



Material / Composition:

Surface:

Dimensions:

Weight:

High-density Polyethylene (HDPE)

Anti-Slip

5 x 9.5 cm (Length / Ø)

0.069 kg

Black
003728T16

Nut



Material / Composition:

Surface:

Dimensions:

Weight:

High-density Polyethylene (HDPE)

Anti-Slip

3.5 x 8.5 cm (Length / Ø)

0.060 kg

Black
003650T16

Spacer



Material / Composition:

Surface:

Dimensions:

Weight:

High-density Polyethylene (HDPE)

Anti-Slip

1.5 x 9 cm (Length / Ø)

0.038 kg

Black
003732T16

Lug Connector



Material / Composition:

Surface:

Dimensions:

Weight:

High-density Polyethylene (HDPE)

Anti-Slip

13.5 x 9 cm (Height / Ø)

0.225 kg

Black
2018BG005

Connecting Pin with Top Up Ring



Material / Composition:

Surface:

Dimensions:

Weight:

High-density Polyethylene (HDPE) &
INOX Steel

Anti-Slip

30 x 18 cm (Height / Ø)

2.500 kg

Black
003650T16

Connecting Pin with Stud



Material / Composition:

Surface:

Dimensions:

Weight:

High-density Polyethylene (HDPE) &
INOX Steel

Anti-Slip

34 x 18 cm (Height / Ø)

2.00 kg

Grey
2020BG014

Inox Cleat



Material / Composition:

Dimensions:

Weight:

INOX Steel

20 x 37.5 cm (Width / Height)

2.00 kg

Silver
2020BG001

Connecting Pin With Inox Cleat – Strong



Material / Composition:

Surface:

Dimensions:

Weight:

High-density Polyethylene (HDPE) &
INOX Steel

Anti-Slip

30 x 18 cm (Height / Ø)

3.00 kg

Black
003650T16

Connecting Pin With Inox Cleat – Stylish



Material / Composition:

High-density Polyethylene (HDPE) &
INOX Steel

Surface:

Anti-Slip

Dimensions:

30 x 18 cm (Height / \varnothing)

Weight:

3.00 kg

Black
2019BG013

HDPE Cleat



Material / Composition:

High-density Polyethylene (HDPE)

Surface:

Anti-Slip

Dimensions:

13 x 25 cm (Width / Height)

Weight:

0.400 kg

Grey
2018BG008

Single Fender



Material / Composition:

High-density Polyethylene (HDPE)

Surface:

Anti-Slip

Dimensions:

50 x 25 x 35 cm (Length / Width / Height)

Weight:

3.500 kg

Grey
2020BG003

Double Fender



Material / Composition:

Surface:

Dimensions:

Weight:

High-density Polyethylene (HDPE)

Anti-Slip

100 x 20 x 27 cm (Length / Width / Height)

4.600 kg

Grey
2020BG004

Inox Ladder



Material / Composition:

Dimensions:

Weight:

INOX Steel

83 x 183 cm (Width / Height)

18.00 kg

Silver
2018BG011

Single Handrail Bar



Material / Composition:

Dimensions:

Weight:

Galvanized Steel / INOX Steel

4,5 x 110 cm (Width / Height)

3.500 kg

Silver/Black
2019BG012

Silver
2019BG012.1

Handrail 50 cm



Material / Composition: Galvanized Steel / INOX Steel
Dimensions: 50 x 108 cm (Lenght / Height)
Weight: 6.300 kg

Silver/Black
2019BG009

Silver
2019BG009.1

Handrail 190 cm



Material / Composition: Galvanized Steel / INOX Steel
Dimensions: 190 x 108 cm (Lenght / Height)
Weight: 12.00 kg

Silver/Black
2019BG008

Silver
2019BG008.1

Pin With Umbrella Holder



Material / Composition: High-density Polyethylene (HDPE) & INOX Steel
Surface: Anti-Slip
Dimensions: 59 x 18 cm (Height / Ø)
Weight: 2.800 kg

Grey
2018BG007

Double Layer Connector



Material / Composition:

High-density Polyethylene (HDPE)

Dimensions:

57 x 5 cm (Height / Ø)

Weight:

1.300 kg

Black / White
2019BG006

Double Layer Connector V2



Material / Composition:

High-density Polyethylene (HDPE)

Dimensions:

57x 5 cm (Height / Ø)

Weight:

0.525 kg

Grey
2020BG006

Winch Stand Assembly



Material / Composition:

INOX Steel

Dimensions:

67 x 89 cm (Lenght / Height)

Silver
2019BG011

Roller



Material / Composition:
Dimensions:
Weight:

Polyurethane , Steel Aisi 316
12 x 7 cm (Lenght / Ø)
0.340 kg

Red
2018BG010

Assembling Tool



Material / Composition:
Dimensions:
Weight:

INOX Steel
55 x 100 cm (Width/ Height)
2.700 kg

Silver
2018BG013

Nut Tool



Material / Composition:
Dimensions:
Weight:

Aluminium
36 x 9 cm (Lenght / Width)
0.200 kg

Silver
2019BG013

Hexagon Screw Tool



Material / Composition:

Aluminium

Dimensions:

40 x 65 cm (Width/ Height)

Weight:

2.00 kg

Silver
2020BG017

Anchoring Ring



Material / Composition:

High-density Polyethylene (HDPE) &
INOX Steel

Surface:

Anti-Slip

Dimensions:

31 x 9 cm (Length / \varnothing)

Weight:

1.230 kg

Black
2018BG008

Anchoring Pin



Material / Composition:

High-density Polyethylene (HDPE) &
INOX Steel

Surface:

Anti-Slip

Dimensions:

48 x 18 cm (Length / \varnothing)

Weight:

2.500 kg

Black
2018BG006

Helix ECO Anchor Ellipse I



Material / Composition: **Steel**

Surface: **Hot Galvanization**

Dimensions: **100 x 25 x 2,5 cm (Height / Ø Disk / Ø Rod)**

Weight: **5.500 kg**

Helix ECO Anchor Ellipse II



Material / Composition: **Steel**

Surface: **Hot Galvanization**

Dimensions: **150 x 25 x 2,5 cm (Height / Ø Disk / Ø Rod)**

Weight: **8.500 kg**

Helix ECO Anchor Ellipse IIIS



Material / Composition: **Steel**

Surface: **Hot Galvanization**

Dimensions: **200 x 30 x 3 cm (Height / Ø Disk / Ø Rod)**

Weight: **24.00 kg**

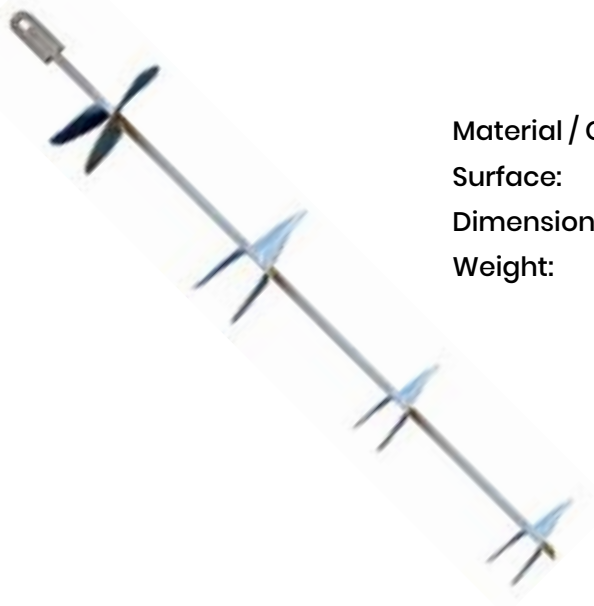
Helix ECO Anchor Ellipse IVF

Material / Composition: **Steel**

Surface: **Hot Galvanization**

Dimensions: **300 x 30/40 x 3 cm (Height / Ø Disk / Ø Rod)**

Weight: **28.00 kg**



| Tensile Streight Certificate | Ellipse I | Ellipse II | Ellipse IIIS | Ellipse IVF |
|--|-----------|------------|--------------|-------------|
| Minimum holding certified by VERITAS - soft oil | 0.8 t | 1.0 t | 2.3 t | 4.0 t |
| Equivalent concrete block - soft oil | 1.1 t | 1.7 t | 3.3 t | 5.7 t |
| Maximum holding certified by VERITAS - compact oil | 1.3 t | 2.0 t | 4.2 t | 5.3 t |
| Equivalent concrete block - compact oil | 1.8 t | 2.9 t | 6.0 t | 7.7 t |

Concrete Anchor



Material / Composition: **Concrete & Steel**

Dimensions: **On Request**

Weight: **On Request**

Connecting Adaptor



Material / Composition:

Galvanized Steel

Silver
2019BG003

Mooring Arm Bracket



Material / Composition:

Galvanized Steel

Dimensions:

112 x 72 cm (Length / Height)

Weight:

17.500 kg

Silver
2019BG018

Wall Plate



Material / Composition:

Galvanized Steel

Silver
2019BG019

Galvanized Pile Bracket



Material / Composition:

Galvanized Steel

Dimensions:

112 x 30 cm (Length / Height)

Weight:

10.00 kg

Silver
2019BG022

Pile Pontoon Adaptor



Material / Composition:

Galvanized Steel

Dimensions:

121.5 x 30 cm (Length / Width)

Weight:

13.700 kg

Silver
2019BG023

Wall Bracket Adaptor Set



Material / Composition:

Galvanized Steel

Dimensions:

On Request

Silver
2019BG024

BULDOCK

FLOATING DOCKS



Jet Slider

The **Jet Slider** is made of efficient new-generation HDPE (high-density polyethylene).

www.buldock.com

BulDock Jet Slider is a unique dry dock system.

The **Jet Slider** is lightweight, but thanks to its' technology, it is resistant to impact, chemical products, UV rays and severe weather conditions.



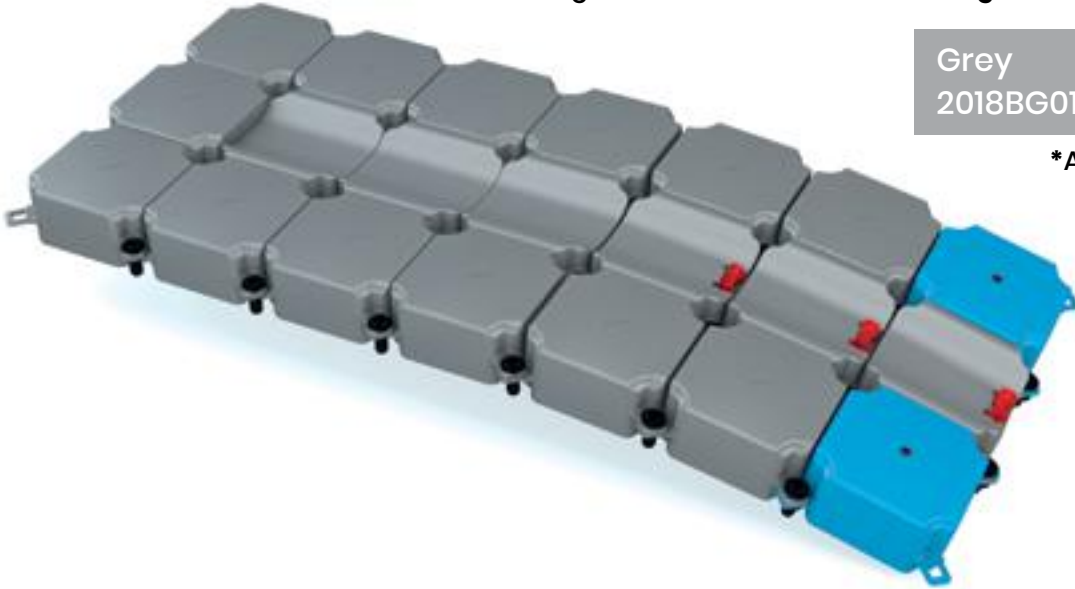
Its' exceptional design prevents any disproportionate strain on the hull by distributing the watercraft's weight evenly.

The **Jet Slider** does not feature any moving parts that might be damaged or would require maintenance.

Jet Slider 350

Material / Composition:
Rollers:
Surface:
Dimensions:
Weight:

High-density Polyethylene (HDPE)
Polyurethane, Inox Steel
Anti-Slip
350 x 150 x 27 cm (L / W / H)
135 kg



Grey
2018BG015

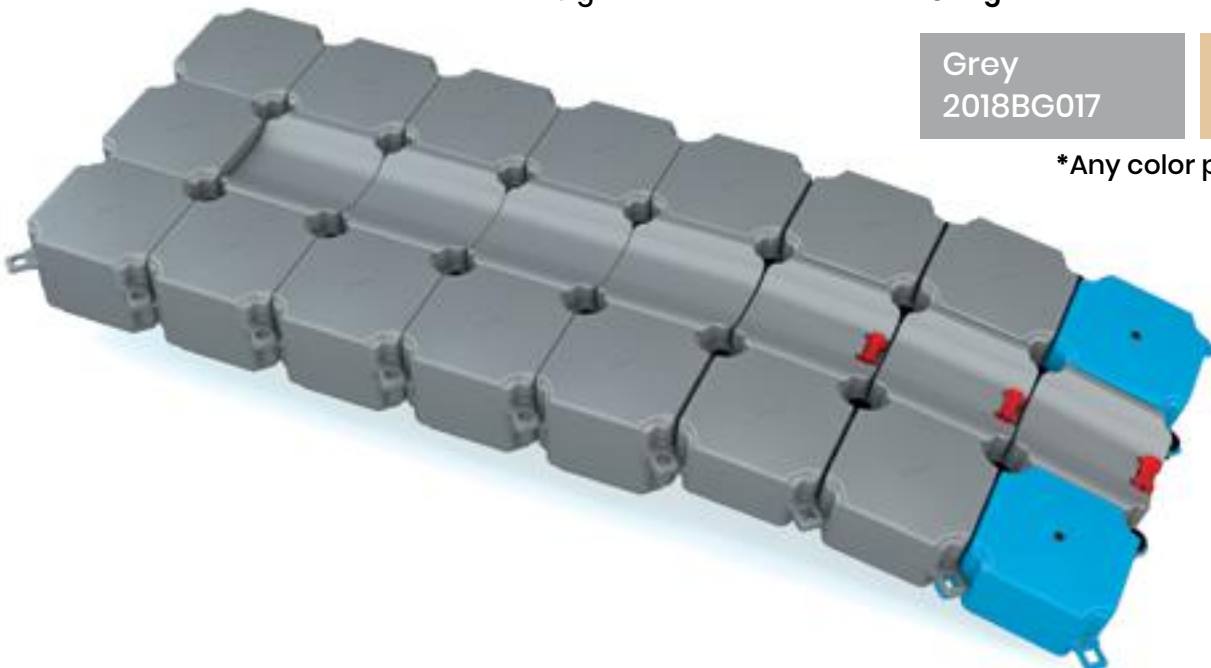
Beige
2018BG016

*Any color per customers wish

Jet Slider Big Size 400

Material / Composition:
Rollers:
Surface:
Dimensions:
Weight:

High-density Polyethylene (HDPE)
Polyurethane, Inox Steel
Anti-Slip
400 x 150 x 40 cm (L / W / H)
180 kg



Grey
2018BG017

Beige
2018BG018

*Any color per customers wish

Jet Slider Twin 450

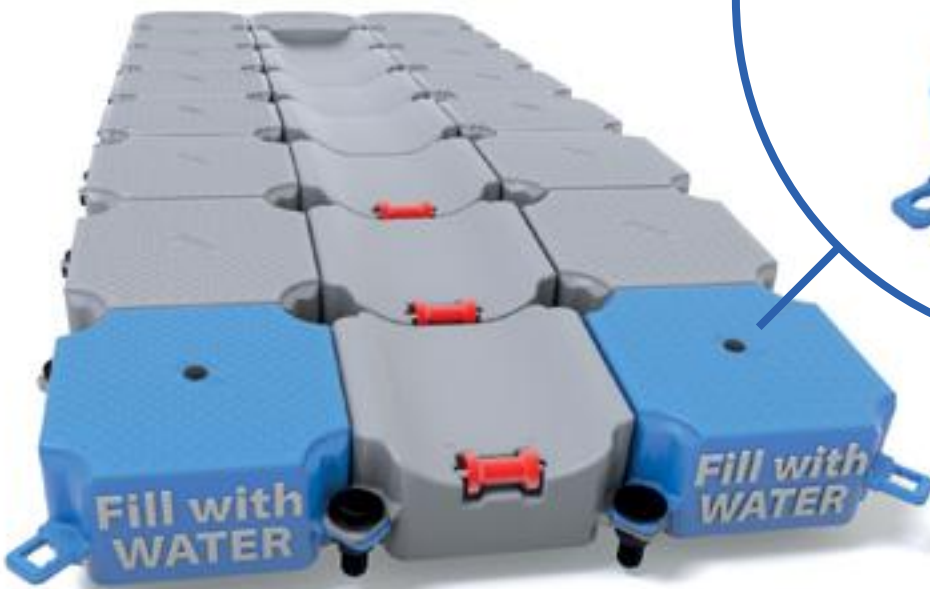
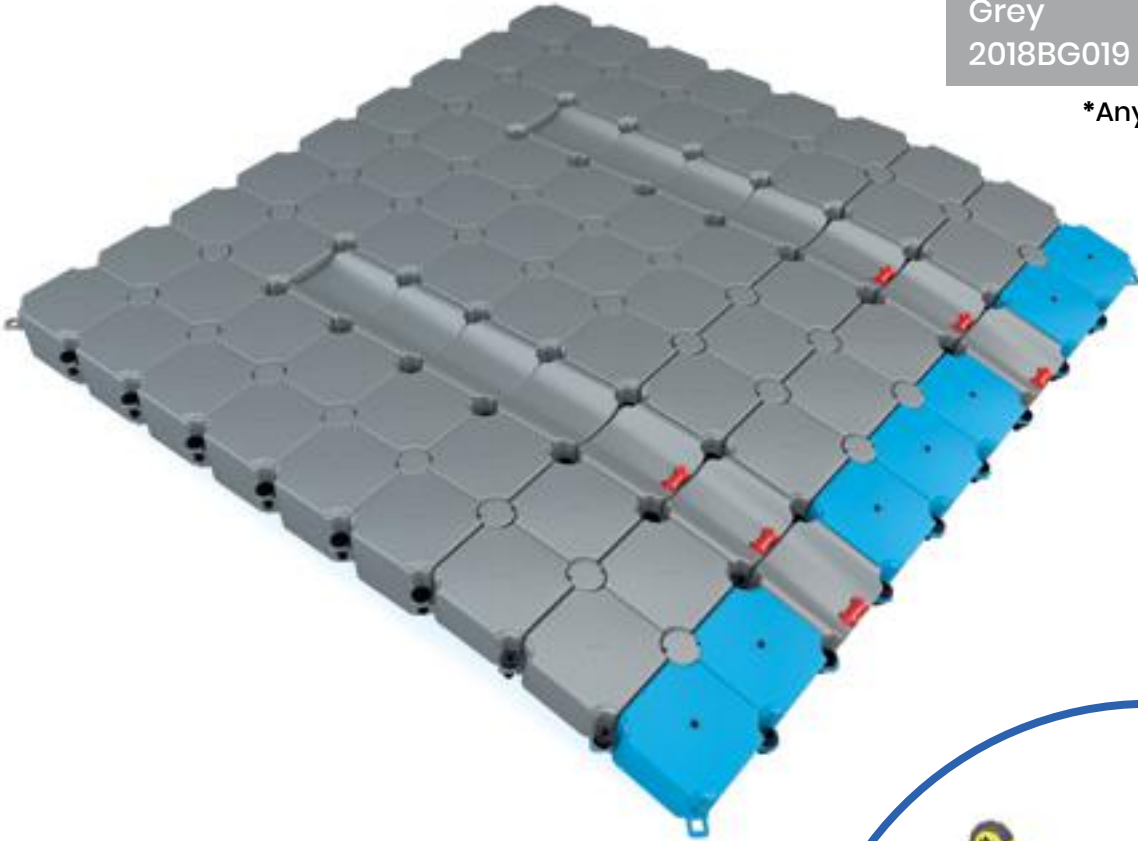
Material / Composition:
Rollers:
Surface:
Dimensions:
Weight:

High-density Polyethylene (HDPE)
Polyurethane, Inox Steel
Anti-Slip
450 x 450 x 40 cm (L / W / H)
540 kg

Grey
2018BG019

Beige
2018BG020

*Any color per customers wish



BULDOCK

FLOATING DOCKS



Boat Slider

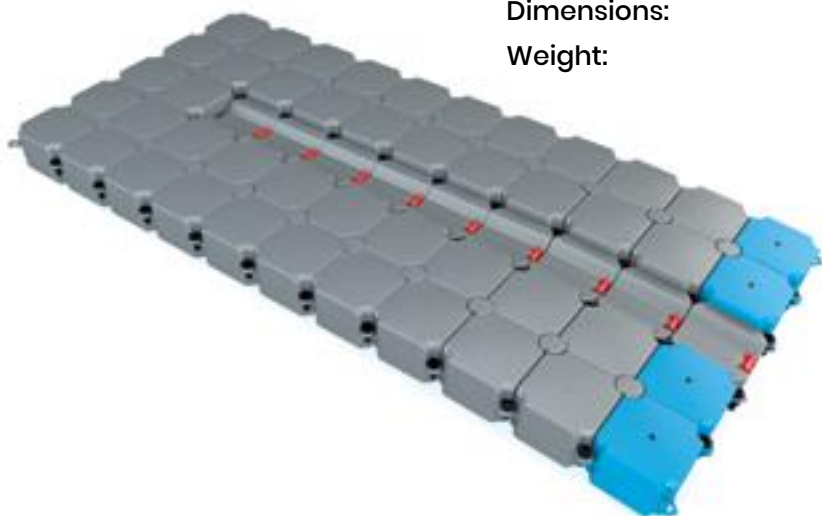
BulDock's Boat Slider is a unique dry-dock system. Its' exceptiona design prevents any disproportionate strain on the hull by distributing the watercraft's weight evenly. The Boat Slider does not feature any moving parts that might be damaged or would require maintenance. The **BulDock Boat Slider** is lightweight, resistant to UV rays, chemicals and collision.

www.buldock.com

Boat Slider 550 & 650

Material / Composition:
Rollers:
Surface:
Dimensions:
Weight:

High-density Polyethylene (HDPE)
Polyurethane, Inox Steel
Anti-Slip
550 / 650 x 250 x 40 cm (L / W / H)
390 / 465 kg



Grey
2018BG021 550

Beige
2018BG022 550

Grey
2018BG023 650

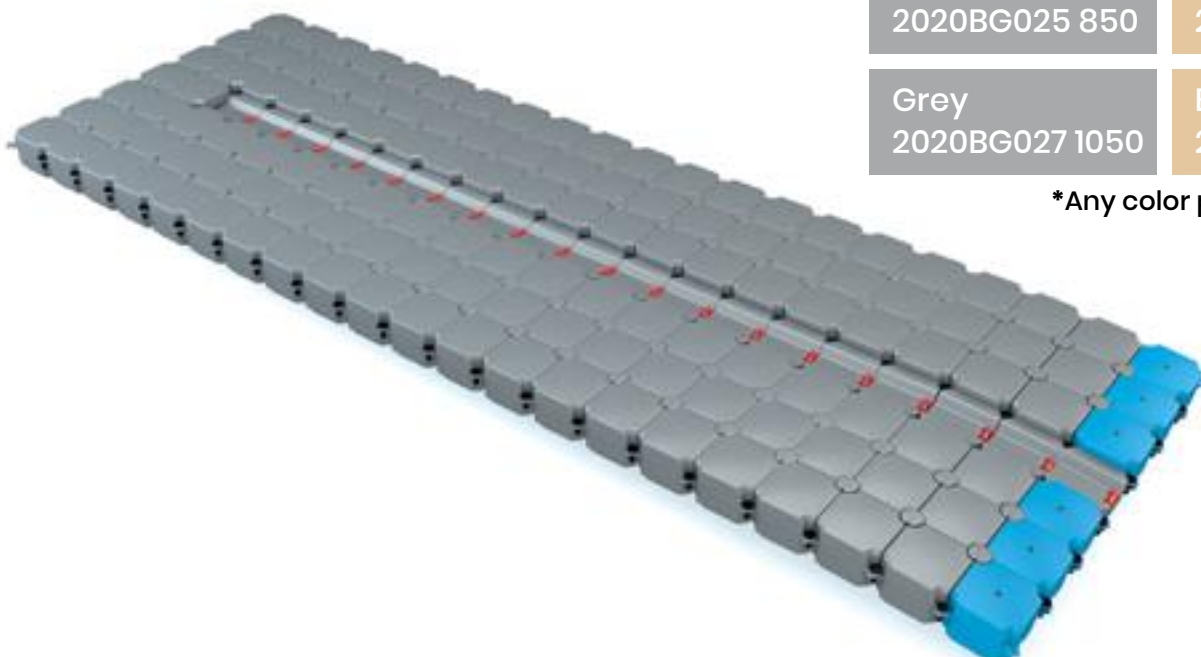
Beige
2018BG024 650

*Any color per customers wish

Boat Slider 850 & 1050

Material / Composition:
Rollers:
Surface:
Dimensions:
Weight:

High-density Polyethylene (HDPE)
Polyurethane, Inox Steel
Anti-Slip
850 / 1050 x 350 x 40 cm (L / W / H)
850 / 1050 kg



Grey
2020BG025 850

Beige
2020BG026 850

Grey
2020BG027 1050

Beige
2020BG028 1050

*Any color per customers wish

DISTRIBUTORS

Bulgaria

BulDock Ltd.

address: Perla Park Complex, sector B, floor 2 36,
Okolovrasten pat Str. Sofia, BULGARIA
phone: +359 878 333 878, +359 886 166 199
e-mail: office@buldock.com
web: www.buldock.com

Croatia

Area maris d.o.o.

address: Trg kralja Tomislava 7, 52100 Pula, CROATIA
e-mail: ainfo@areamaris.hr
web: www.areamaris.hr

Spain

INTERMAR SAILING

contact: Joan Gelpí
phone: +34 670 29 69 46
e-mail: info@intermarsailing.com
web: www.intermarsailing.com

Poland

Taurus Sea Power Sp. z o.o.

address: Dziewięć Włók 33 a 03-021 Pruszcz Gdanski,
POLAND
phone: +48 58 30 20 225
e-mail: taurus@taurus.gda.pl
web: www.taurus.gda.pl

Switzerland – German & French Part

address: Chemin de Champvent 16D,
1008 Joutens-Mézery, SWITZERLAND
contact: Mr. Stéphane Ferraton
phone: +41 225 72 70
e-mail: s.ferraton@buldock.ch
web: www.buldock.ch

Switzerland – Italian Part

Idea Green SA

address: Idea Green SA Via St. Maria 69a, 6596 Gordola,
SWITZERLAND
contact: Mr. Enzo Trazzera
phone: +41 225 72 70
e-mail: info@buldock.ch
web: www.buldock.ch

Italy – Centro Sud Italia

Oliva SRL

address: Via Lanzara 33 84014 Nocera Inferiore (SA), ITALIA
contact: Mr. Alfonso Oliva
phone: +39 388 241 45 96
e-mail: info@olivasrl.it
web: www.olivasrl.it

Montenegro

Beny com DOO

address: Džordža Vasiingtona 73, Podgorica, MONTENEGRO
contact: Petar Popovic
phone: +38267600829, +38267600899, +38267745551
e-mail: poppetar17@gmail.com

Scandinavia

BulDock Scandinavia AB

address: Energigatan 4 43437 Kungsbacka, SWEDEN
phone: +46 73 2853625
e-mail: info@buldockscandinavia.se
web: www.buldockscandinavia.se

Egypt

SeaServ Marine Services and Agencies LLC (SSMA)

address: Block 1602, Al Hadaba Al Wosta, Mokkatam City,
Cairo, EGYPT
contact: Mohammed Nabil, CEO
phone: +201017070554
e-mail: info@seaserv.tech
web: www.seaserv.tech

Argentina

Lichak Tours

contact: Shelley & Ariel Lichak
e-mail: info@lichak.tours
phone: +972 5866 88722
web: www.lichak.tours

Estonia

ABC TENT OÜ

address: Sassi, Mäksa küla Kastre vald Tartumaa 62306,
ESTONIA
contact: Aleksandr Suvorov
e-mail: info@abctent.ee
phone: +372 56240284
web: www.abctent.ee

DEALERS

Germany

Qseaboat

address: Garzauer Chaussee 1A/TP6, 15344 Strausberg, GERMANY

contact: Herr Daniel Queißner, Herr Marek Stein

phone: +493341/303387

e-mail: info@qseaboat.de

web: www.qseaboat.de

Germany

US BOOTSMARKT e.K.

Marina Marianne Pohlesee

address: Grüner Weg 5-9, 14109 Berlin-Wannsee, GERMANY

contact: Joachim F. Koch

phone: +49 (0)30 80 48 48 00

mobile: +49(0) 172 30 00 380

e-mail: joe@boote-berlin.de

web: www.boote-berlin.de

Greece

IDEAGENESIS

address: Thessaloniki

contact: Yannis Kaplanidis

phone: (+30) 23130-37-100

mobile: (+30) 698-37-97-125

e-mail: info@ideagenesis.gr

web: www.esc.guide/buldock

Greece & Cyprus

MORE WATERSPORTS LTD.

address: Marathonos 13 4040 Limassol, CYPRUS

phone: +357 99 810 818

e-mail: more.parklane@gmail.com

web: www.morewatersport.com

France

SOUS MARINE SERVICES

address: 19, QUAI DE RIVE NEUVE ; 13007 MARSEILLE, FRANCE

phone: +33 4 91 33 28 51, + 33 6 03 56 78 70

web: www.sousmarineservices.com

Romania

SC.CLAYSGROUP SRL

contact: Bogdan Puie

phone: +40 742 697 048

e-mail: bogdan@kdmanager.eu

Romania

SC Highsports

Webmarket SRL

address: Gardenia Village, Aleea Gardenia nr. 32, RO-077067 sat Petresti, comuna Corbeanca, ROMANIA

contact: Leon Rotaru

phone: +40 744 671288

e-mail: leon.rotaru@correctcraft.ro

web: www.iwake.ro **Skype:** leontheprof

Saudi Arabia

Shali Marine

contact: Ali A. Batterjee

phone: +966567099999

e-mail: info@theshaligroup.com

web: www.theshaligroup.com

Bulgaria

SALTUS Ltd.

address: Burgas 8000, BULGARIA,

Aleksandar Batenberg Str., Hotel Marina Burgas

contact: George Rangelov

phone: +359 879998777

e-mail: ecobeach.solutions@gmail.com

web: www.ecobeach.solutions

United Kingdom

MURLAC

address: Anders, Lichfield Road Industrial Estate, Tamworth, Staffordshire, B79 7TA, UK

contact: Scott Dawson

phone: +44 (0) 121 313 1008

e-mail: scott.dawson@murlac.com

web: www.murlac.com

Latvia, Lithuania, Belarus, Ukraine, Russia

ABC TENT OÜ

address: Sassi, Mäksa küla Kastre vald Tartumaa 62306, ESTONIA

contact: Aleksandr Suvorov

e-mail: info@abctent.ee

phone: +372 56240284

web: www.abctent.ee

Florida, USA

KMB Yachting LLC

address: 13301 Biscayne Blvd Suite 102

North Miami, FL 33181

phone: +1 305 570 5004

web: www.kmbyachting.com

Request a quote
Let's build your dock!

Become a **BulDock** distributor
Sign up now!

Get in touch

office@buldock.com

+359 878 333 878

BULDOCK
FLOATING DOCKS

Learn more about **BulDock** products
on our website

www.buldock.com